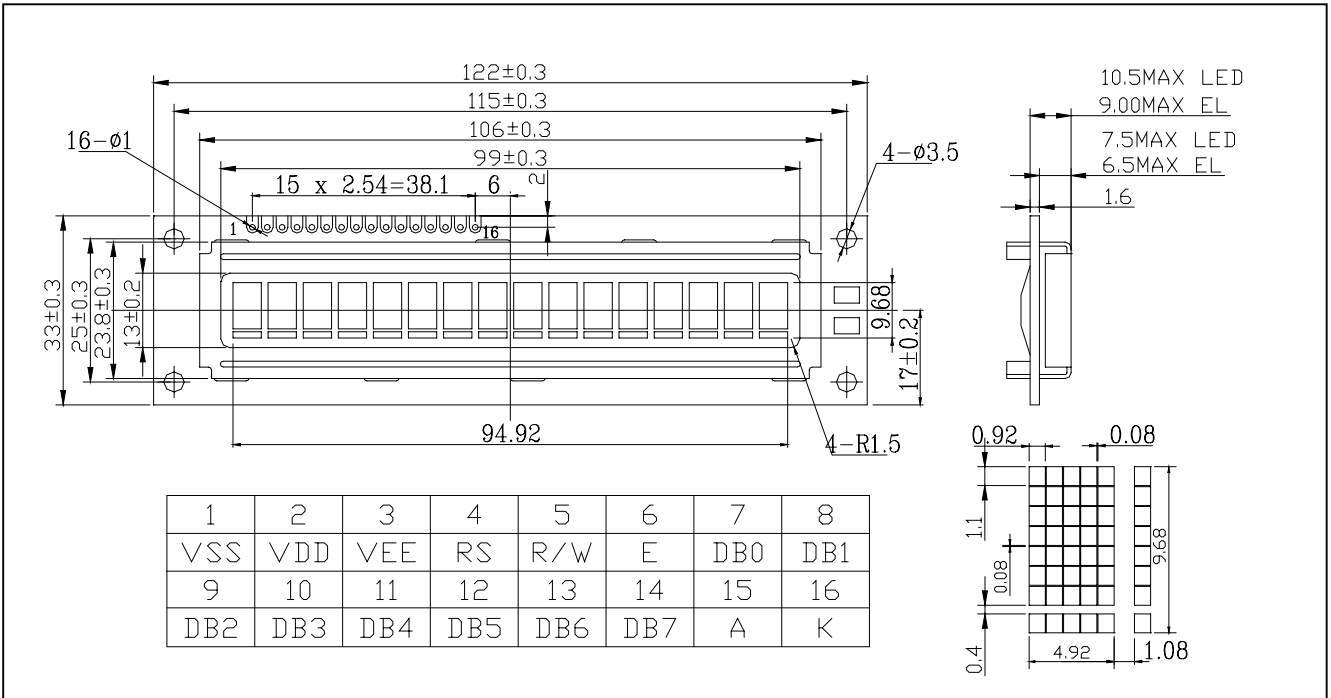




C1601-2

16 × 1 CHARACTERS

**DIMENSION:**



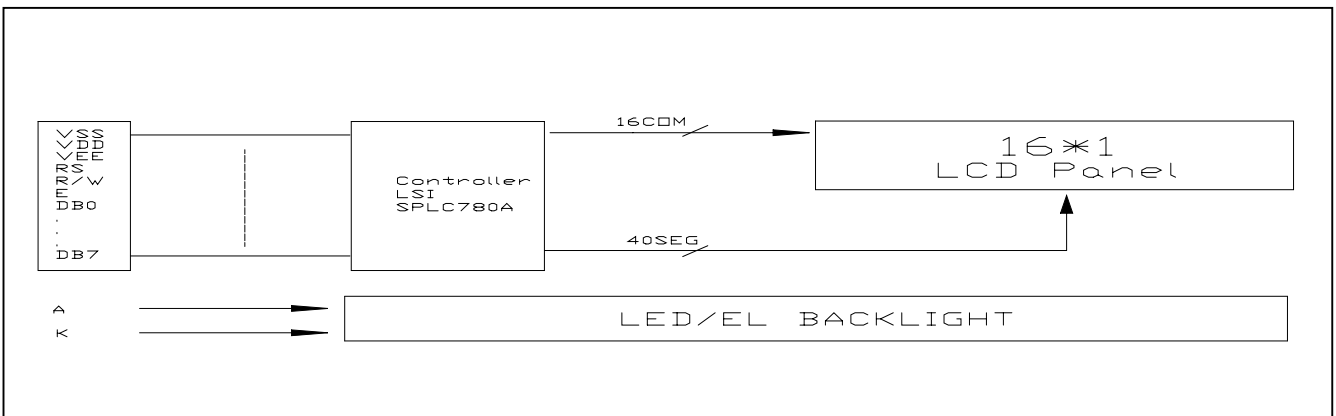
**FEATURE:**

1. Display mode : STN, Positive
2. Dot/Background Color : Black/Yellow-green
3. Display format : 16Char×1Line
4. Input data : 4/8 bit I/O
5. Driving method : 1/16Duty 1/5 Bias
6. Viewing direction : 6 O'clock
7. Back light : EL Green/LED Yellow-green

**ELECTRICAL CHARACTERISTIC:**

Item	Symbol	Standard value			Unit
		Min	Typ	Max	
Power supply for logic	VDD	-0.3	-	7	V
Power supply for LCD	V <sub>LCD</sub>	VDD-12	-	VDD+0.3	V
Input voltage	V <sub>in</sub>	-0.3	-	VDD+0.3	V
Operating temperature	T <sub>op</sub>	0	-	50	
Storage temperature	T <sub>stg</sub>	-20	-	60	

**BLOCK DIAGRAM:**



**DISPLAY CHARACTER ADDRESS CODE:**

Display position	1	2	3	4	.....	7	8
DD RAM address	00	01	02	03	.....	06	07
	40	41	42	43	.....	46	47