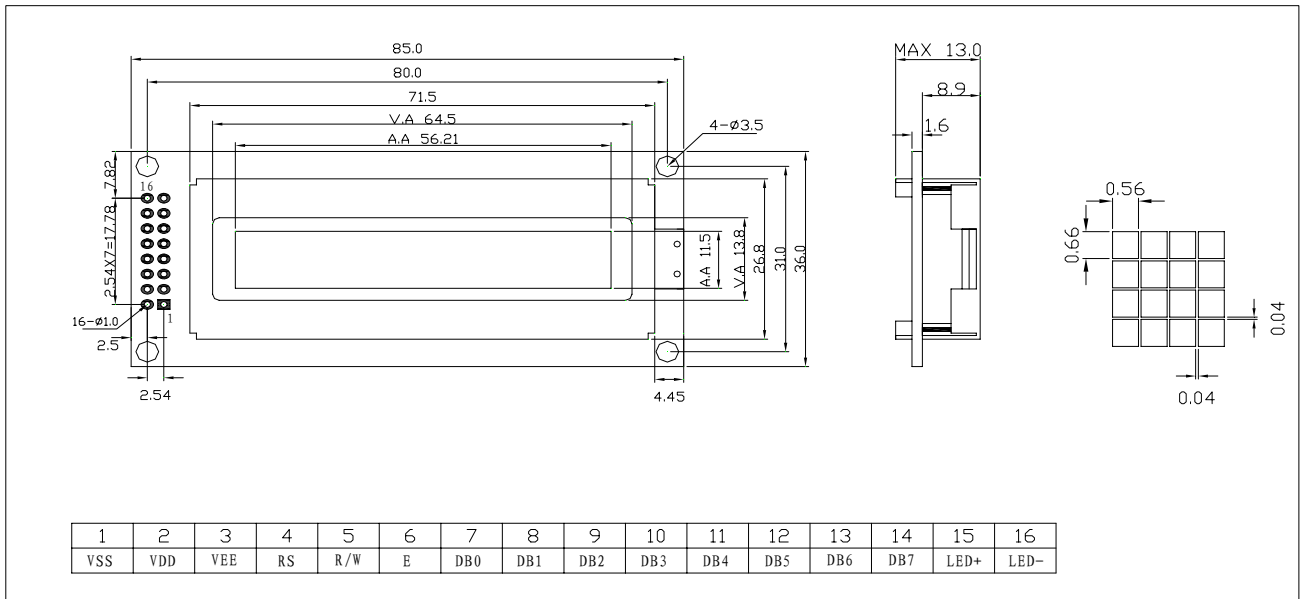
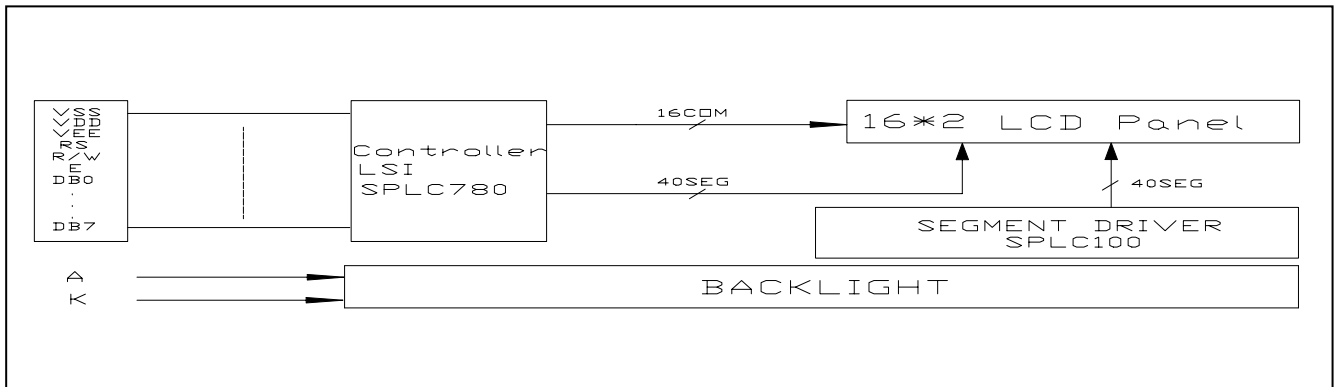


C1602-15
16×2CHARACTERS
DIMENSION:

FEATURE:

1. Display mode : STN, Positive
2. Dot/Background Color : Black/Yellow-green
3. Display format : 16Char×2Line
4. Input data : 4/8 bit I/O
5. Driving method : 1/16Duty 1/5 Bias
6. Viewing direction : 6 O'clock
7. Back light : LED Yellow-green

ELECTRICAL CHARACTERISTIC:

Item	Symbol	Standard value			Unit
		Min	Typ	Max	
Power supply for logic	VDD-VSS	-0.3	—	7.0	V
Power supply for LCD	VDD-V0	0	—	13.0	V
Input voltage	Vin	VSS	—	VDD	V
Operating temperature	Top	0	—	50	°C
Storage temperature	Tstg	-10	—	60	°C

BLOCK DIAGRAM:

DISPLAY CHARACTER ADDRESS CODE:

Display position	1	2	3	4	15	16
DD RAM address	00	01	02	03	0E	0F
	40	41	42	43	4E	4F