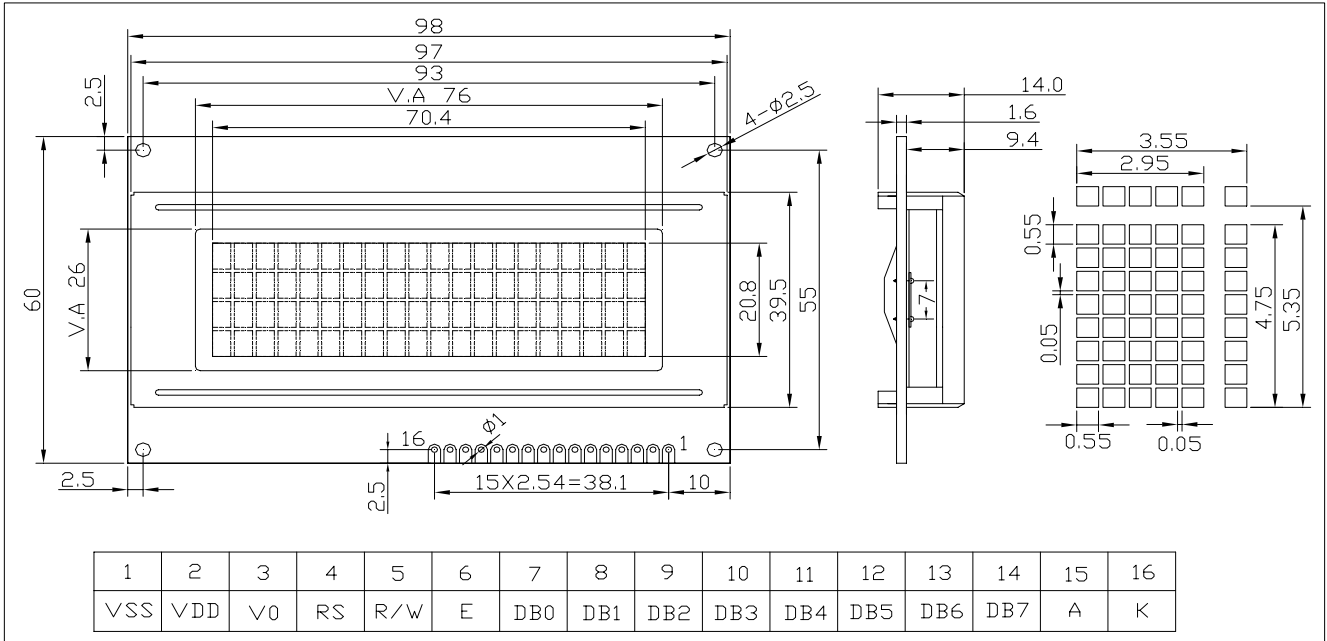


**C2004-1**
**20 × 4CHARACTERS**
**DIMENSION:**

**FEATURE:**

1. Display mode : STN, Positive
2. Dot/Background Color : Blue/Yellow-green
3. Display format : 20Char×4Line
4. Input data : 4/8 bit I/O
5. Driving method : 1/16Duty 1/5 Bias
6. Viewing direction : 6 O'clock
7. Back light : LED Yellow-Green Backlight

**ELECTRICAL CHARACTERISTIC:**

Item	Symbol	Standard value			Unit
		Min	Typ	Max	
Power supply for logic	VDD	-0.3	-	7	V
Power supply for LCD	VLCD	VDD-12	-	VDD+0.3	V
Input voltage	Vin	-0.3	-	VDD+0.3	V
Operating temperature	Top	0	-	50	
Storage temperature	Tstg	-20	-	60	

**BLOCK DIAGRAM:**
