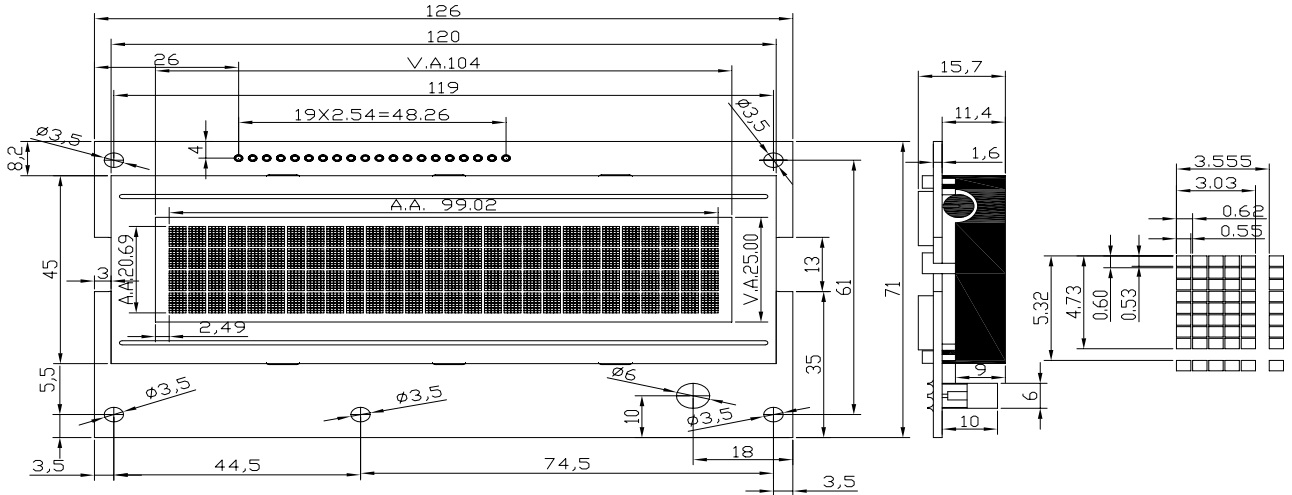


DIMENSION:



| | | | | | | | | | | | | | | | | | | | |
|----|----|----|----|----|----|----|----|----|-----|----|----|-----|-----|----|----|-----|----|----|----|
| 1 | 2 | 3 | 4 | 5 | 6 | 7 | 8 | 9 | 10 | 11 | 12 | 13 | 14 | 15 | 16 | 17 | 18 | 19 | 20 |
| D7 | D6 | D5 | D4 | D3 | D2 | D1 | D0 | E1 | R/W | RS | V0 | VDD | VSS | E2 | NC | VSS | NC | BL | BL |

FEATURE:

1. Display mode : STN, Blue Negative
2. Dot/Background Color : Blue/Yellow-green
3. Display format : 28Char×4Line
4. Input data : 4/8 bit I/O
5. Driving method : 1/16Duty 1/5 Bias
6. Viewing direction : 6 O'clock
7. Back light : EL Green/ LED Yellow-green

ELECTRICAL CHARACTERISTIC:

| Item | Symbol | Standard value | | | Unit |
|------------------------|------------------|----------------|-----|---------|------|
| | | Min | Typ | Max | |
| Power supply for logic | VDD | -0.3 | - | 7 | V |
| Power supply for LCD | V _{LCD} | VDD-15 | - | VDD+0.3 | V |
| Input voltage | V _{in} | -0.3 | - | VDD+0.3 | V |
| Operating temperature | Top | -20 | - | 70 | |
| Storage temperature | T _{stg} | -30 | - | 80 | |

BLOCK DIAGRAM:

