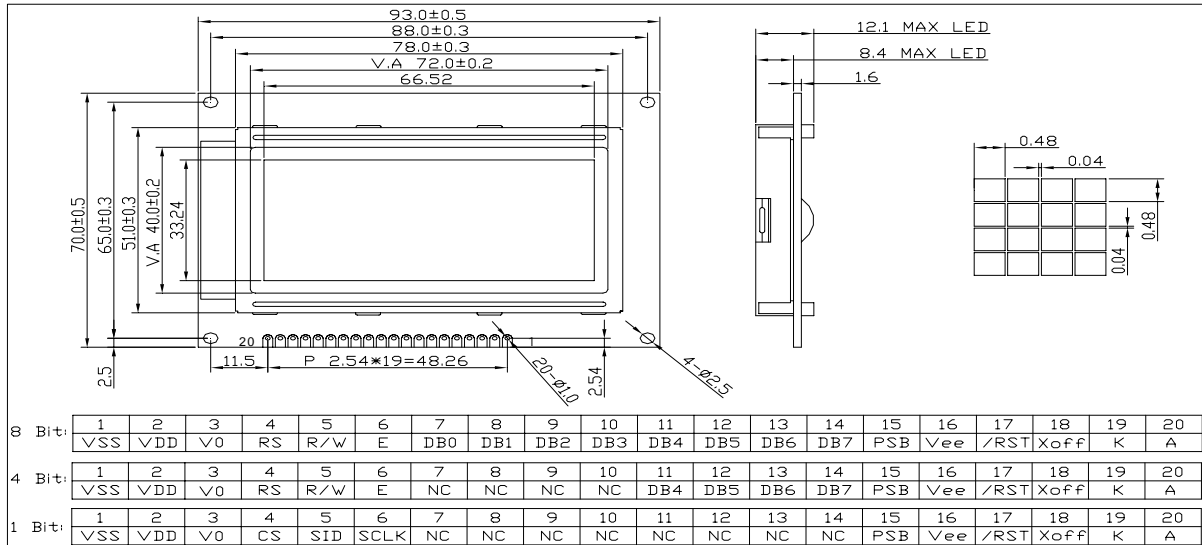


C12864-1HZK(带汉字库)
128 × 64DOTS
DIMENSION:

FEATURE:

1. Display mode : STN, Positive/Negative
2. Dot/Background Color : Black/Yellow-green or White/Blue
3. Display format : 128×64dots
4. Input data : 8 bit or 4 bit or 1bit I/O
5. Driving method : 1/32Duty, 1/6Bias
6. Viewing direction : 6 O'clock/ 12 O'clock
7. Back light : LED Yellow-green/Blue Backlight

ELECTRICAL CHARACTERISTIC:

Item	Symbol	Standard Value			Unit
		Min	Typ	Max	
Power supply for logic	VDD	-0.3	-	5.5	V
Power supply for LCD	V _{Lcd}	-0.3	-	7.0	V
Input voltage	V _{in}	-0.3	-	VDD+0.3	V
Operating temperature	Top	-20	-	70	
Storage temperature	T _{stg}	-30	-	80	

BLOCK DIAGRAM:
