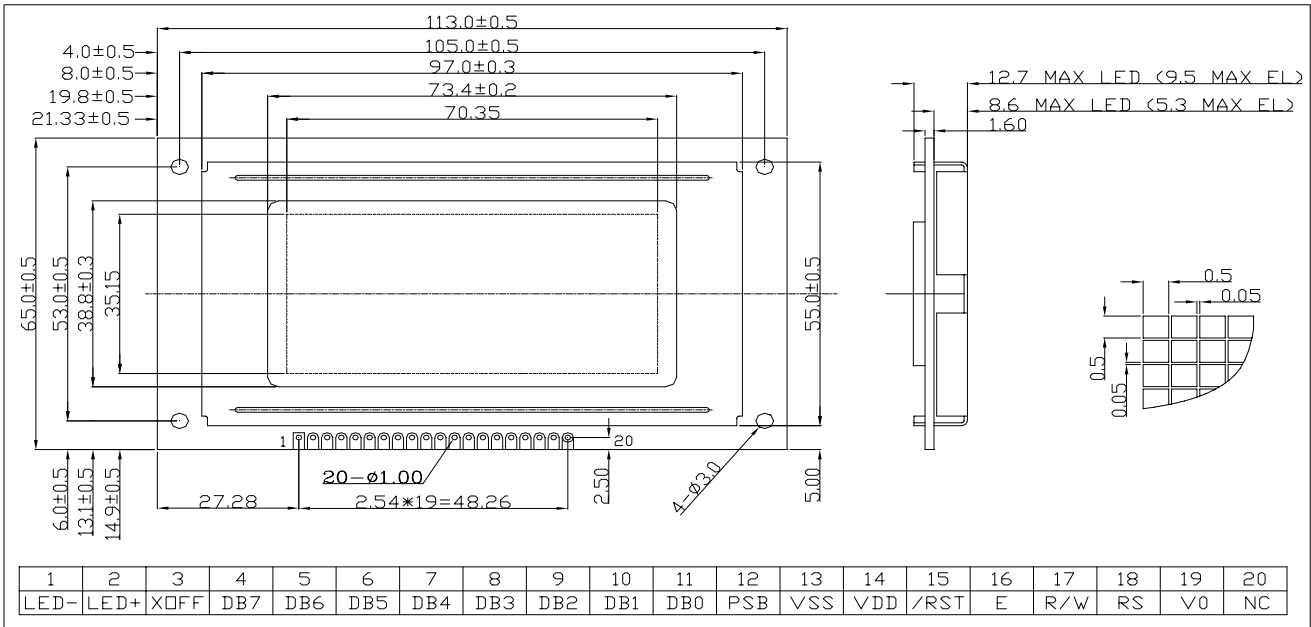


C12864-4(带汉字库)
128 × 64DOTS
DIMENSION:

FEATURE:

1. Display mode : STN, Positive
2. Dot/Background Color : Black/Yellow-green
3. Display format : 128×64dots
4. Input data : 8 bit I/O
5. Driving method : 1/32Duty 1/5Bias
6. Viewing direction : 6 O'clock
7. Back light : LED Yellow-green

ELECTRICAL CHARACTERISTIC:

Item	Symbol	Standard Value			Unit
		Min	Typ	Max	
Power supply for logic	VDD	-0.3	-	5.5	V
Power supply for LCD	V _{LCD}	-0.3	-	7.0	V
Input voltage	V _{in}	-0.3	-	VDD+0.3	V
Operating temperature	T _{op}	0	-	50	
Storage temperature	T _{stg}	-10	-	60	

BLOCK DIAGRAM:
