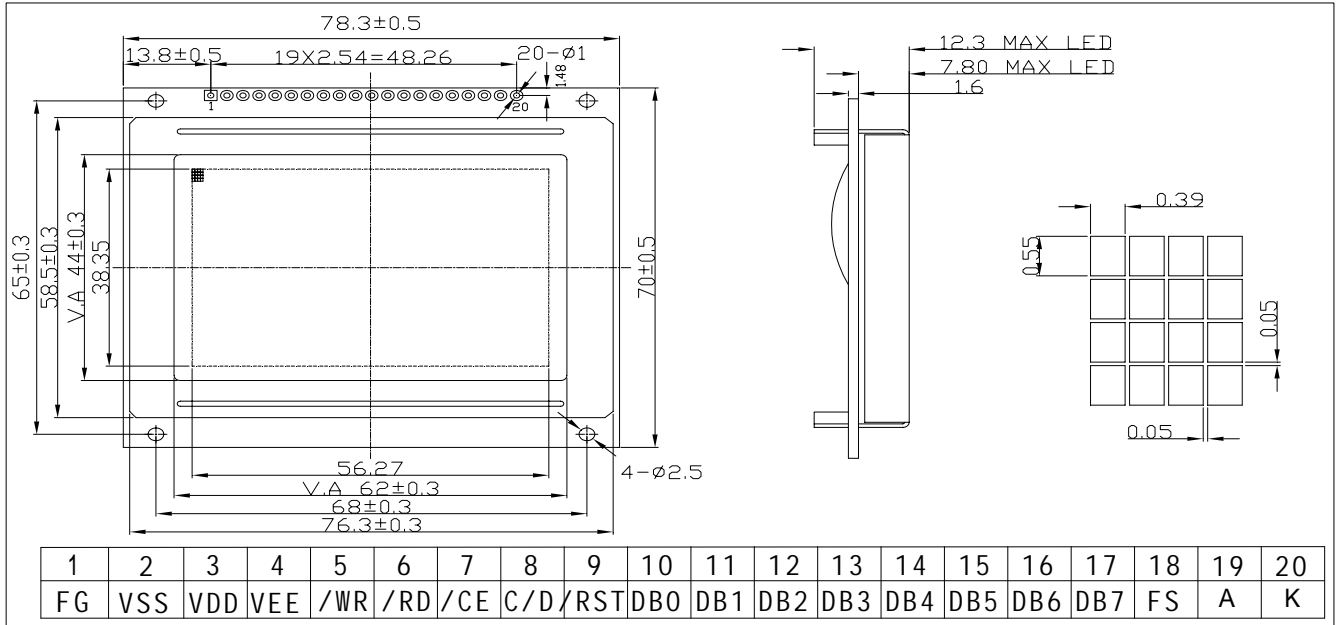


C12864-20
128 × 64DOTS
DIMENSION:

FEATURE:

1. Display mode : STN, Positive
2. Dot/Background Color : White (black) /
White (Yellow-green)
3. Display format :128×64dots
4. Input data : 8 bit I/O
5. Driving method : 1/64Duty 1/9Bias
6. Viewing direction : 6 O'clock
7. Back light : LED White/Yellow-green Backlight

ELECTRICAL CHARACTERISTIC:

Item	Symbol	Standard Value			Unit
		Min	Typ	Max	
Power supply for logic	VDD	-0.3	-	7.0	V
Input voltage	Vin	-0.3	-	VDD+0.3	V
Operating temperature	Top	-20	-	70	
Storage temperature	Tstg	-30	-	80	

BLOCK DIAGRAM:
