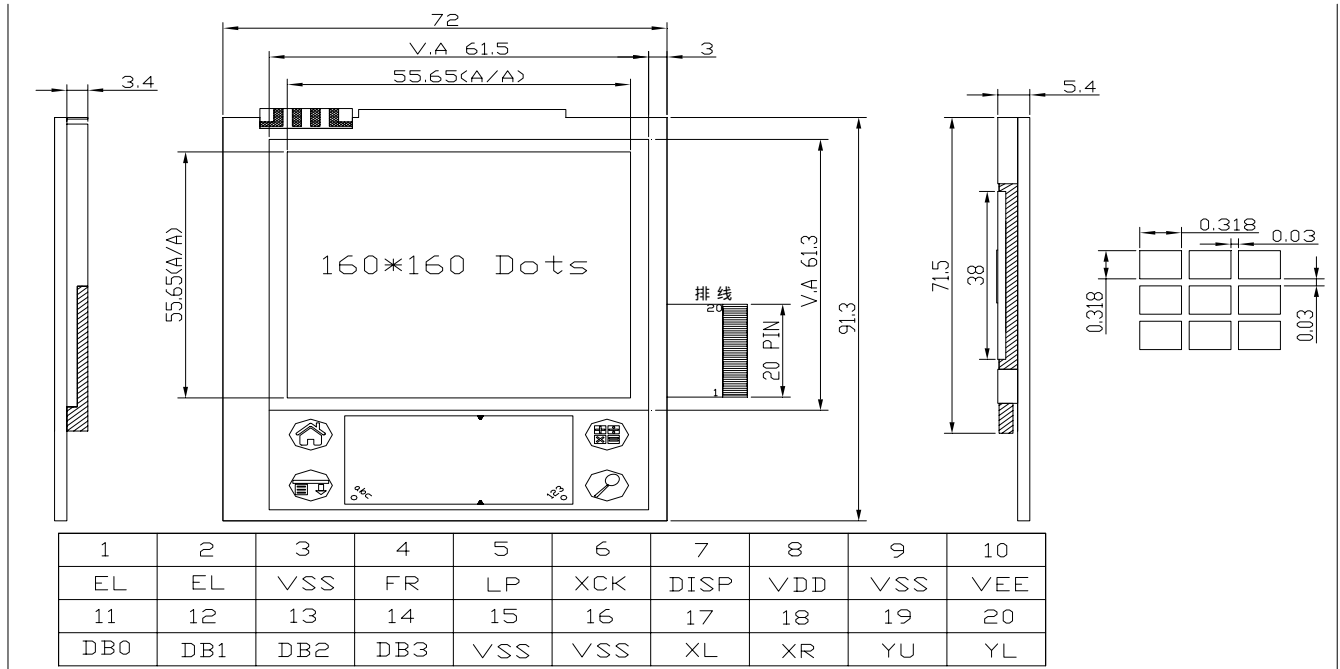


C160160-1
160 × 160DOTS
DIMENSION:

FEATURE:

1. Display mode : FSTN, Positive
2. Dot/Background Color : Black/ Gray
3. Display format : 160×160dots
4. Input data : 8 bit I/O
5. Driving method : 1/160Duty 1/13Bias
6. Viewing direction : 6 O'clock
7. Back light : EL Blue-green Backlight

ELECTRICAL CHARACTERISTIC:

Item	Symbol	Standard Value			Unit	Condition
		Min	Typ	Max		
Supply Voltage (Logic)	VDD	4.5	5.0	5.5	V	
Supply Current (Logic)	I _{dd}	---	---	3	mA	VDD=5V
LCD Operating Voltage	V _{op}	---	18	---	V	T _a =25
Supply Current for LCD	I _{ee}	---	---	15	mA	VDD=5V
Power Supply for B/L	V _{EL}	---	80 ~ 120	---	V	AC(Alternating Current)
Operating temperature	T _{op}	0	-	50		
Storage temperature	T _{stg}	-20	-	70		

BLOCK DIAGRAM:
