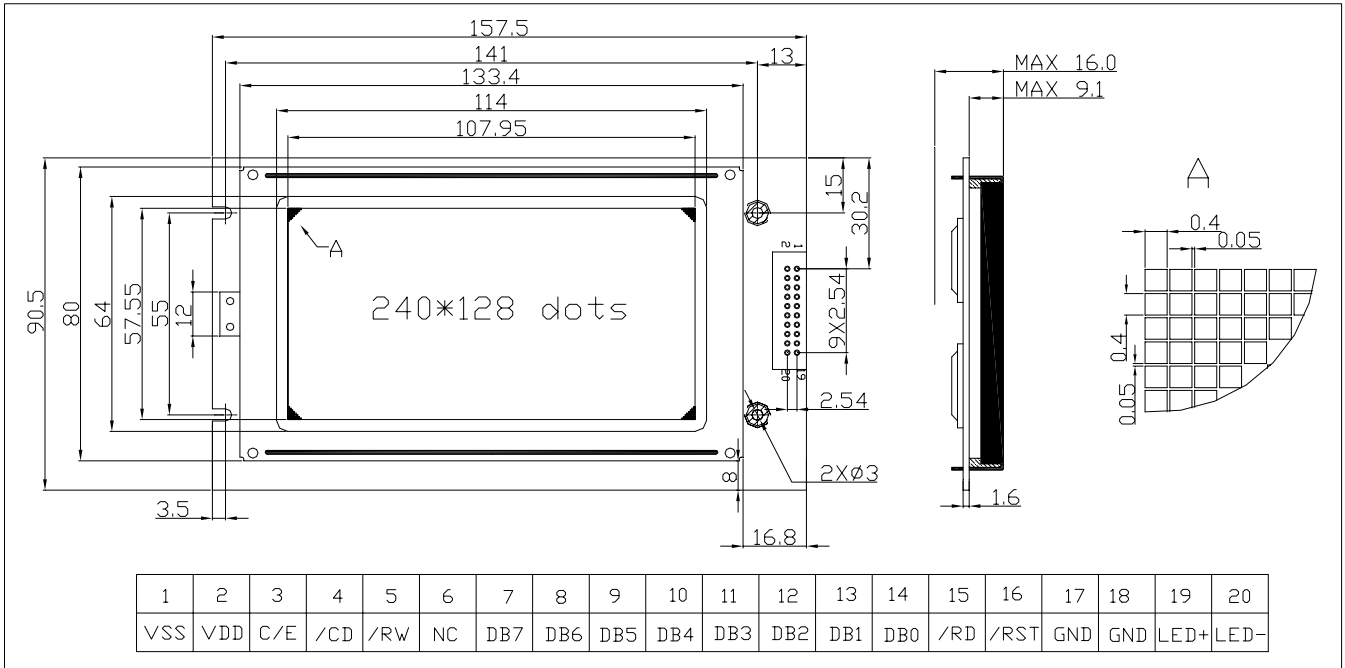


C240128-5
240 × 128DOTS
DIMENSION:

FEATURE:

1. Display mode : STN, Positive/Negative
2. Dot/Background Color : Black/Yellow-green
White/Blue
3. Display format : 240×128dots
4. Input data : 8 bit I/O
5. Driving method : 1/128Duty 1/12Bias
6. Viewing direction : 6 O'clock
7. Back light : LED Yellow-green/White Backlight

ELECTRICAL CHARACTERISTIC:

Item	Symbol	Standard Value			Unit
		Min	Typ	Max	
Power supply for logic	VDD	-0.3	-	7.0	V
Input voltage	Vin	-0.3	-	VDD+0.3	V
Operating temperature	Top	-10	-	55	
Storage temperature	Tstg	-20	-	65	

BLOCK DIAGRAM:
