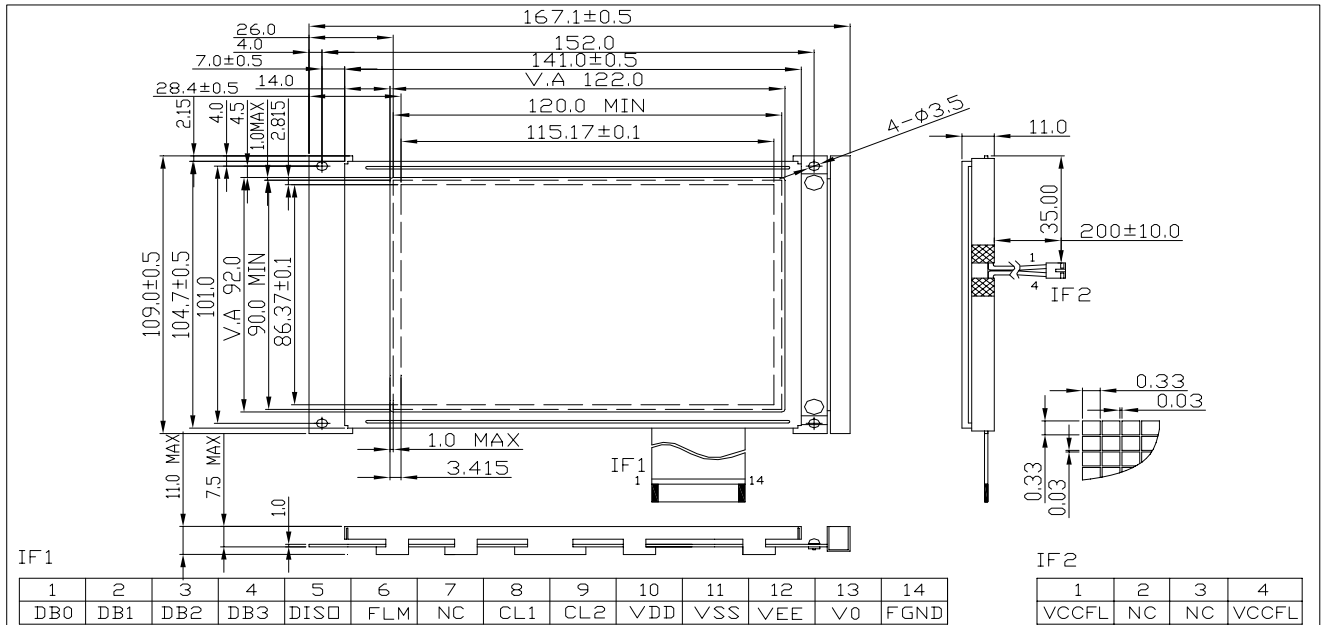


C320240-1
320 × 240DOTS
DIMENSION:

FEATURE:

1. Display mode : STN, Positive/Negative
2. Dot/Background Color : White/Blue Or Blue/ White
3. Display format : 320×240 dots
4. Input data : 4bit I/O
5. Driving method : 1/240Duty 1/17 Bias
6. Viewing direction : 6 O'clock
7. Back light : CCFL White Backlight

ELECTRICAL CHARACTERISTIC:

Item	Symbol	Standard value			Unit
		Min	Typ	Max	
Power supply for logic	VDD	-0.3	-	7.0	V
Input voltage	Vin	-0.3	-	VDD+0.3	V
Operating temperature	Top	0	-	50	
Storage temperature	Tstg	-20	-	70	

BLOCK DIAGRAM:
