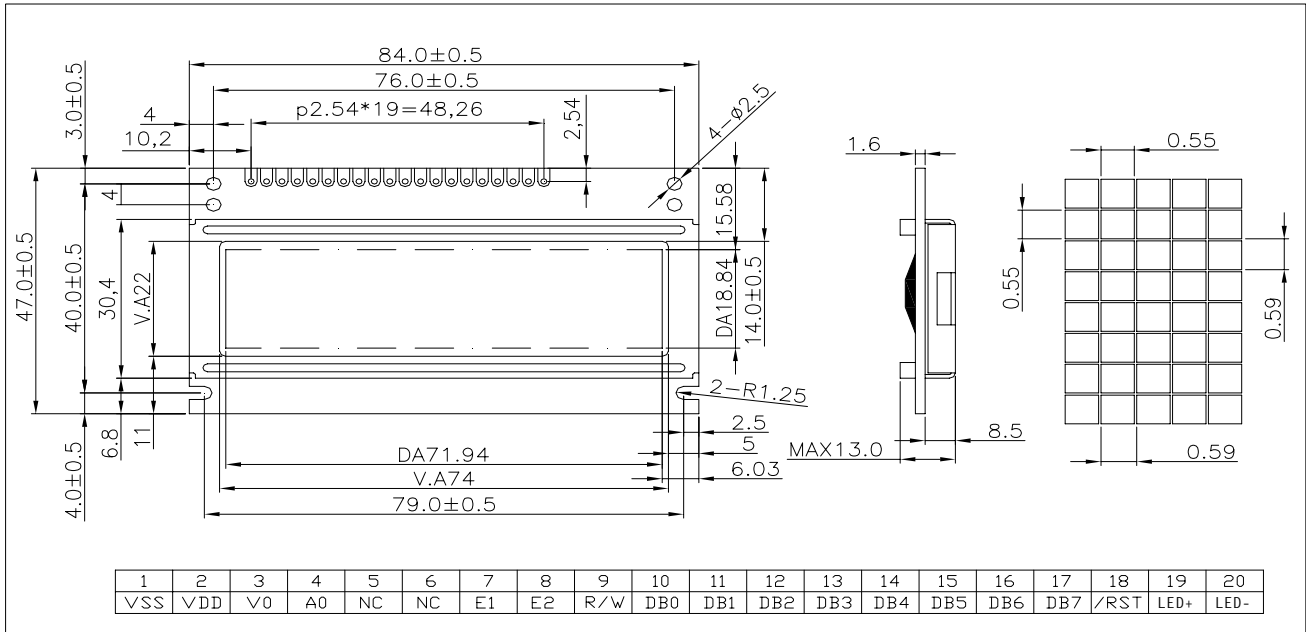


C12232-6
122 × 32DOTS
DIMENSION:

FEATURE:

1. Display mode : STN, Positive
2. Dot/Background Color : Black/Yellow-green
3. Display format : 122×32dots
4. Input data : 8 bit I/O
5. Driving method : 1/32Duty 1/6 Bias
6. Viewing direction : 6 O'clock
7. Back light :LED / EL Backlight

ELECTRICAL CHARACTERISTIC:

Item	Symbol	Standard Value			Unit
		Min	Typ	Max	
Power supply for logic	VDD	2.4	-	6.0	V
Power supply for LCD	V _{LCD}	3.0	-	13.5	V
Input voltage	V _{in}	-0.3	-	VDD+0.3	V
Operating temperature	Top	0	-	50	
Storage temperature	Tstg	-20	-	70	

BLOCK DIAGRAM:
