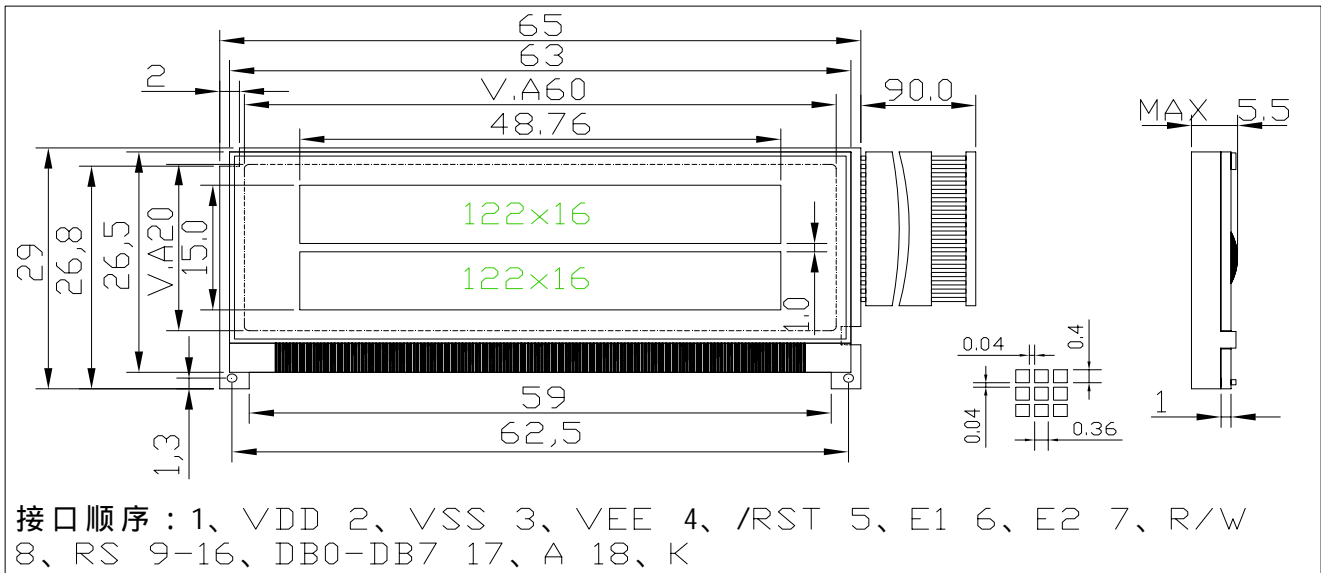


C12232-13
122 × 32DOTS
DIMENSION:

FEATURE:

1. Display mode : STN, Positive
2. Dot/Background Color : Black/Yellow-green
3. Display format : 122×32dots
4. Input data : 8 bit I/O
5. Driving method : 1/32Duty 1/5 Bias
6. Viewing direction : 12 O'clock
7. Back light : LED Backlight

ELECTRICAL CHARACTERISTIC:

Item	Symbol	Standard Value			Unit
		Min	Typ	Max	
Power supply for logic	VDD	2.4	-	6.0	V
Power supply for LCD	V _{LCD}	3.0	-	13.5	V
Input voltage	V _{in}	-0.3	-	VDD+0.3	V
Operating temperature	T _{op}	0	-	50	
Storage temperature	T _{stg}	-10	-	60	

BLOCK DIAGRAM:
