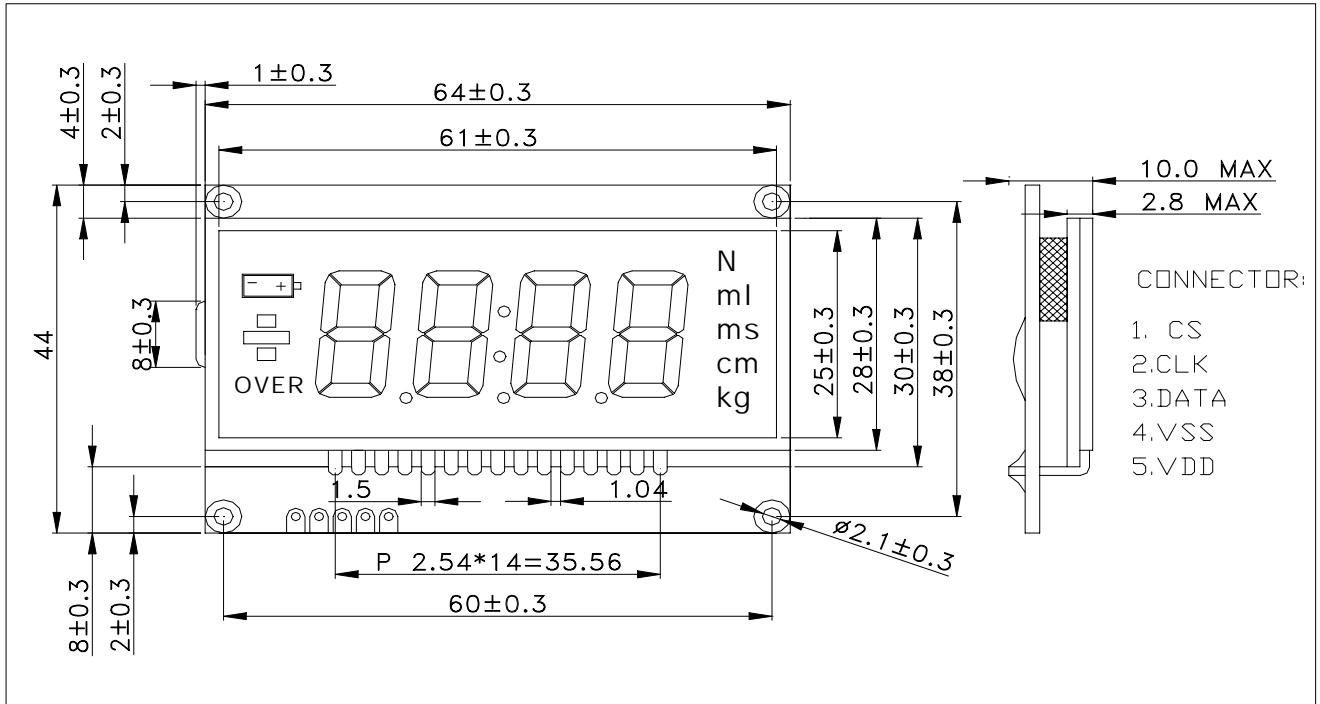




QX014

DIMENSION:



FEATURE:

1. 显示类型 (Display Type) : TN, Positive,
白底黑字
2. 视角方向 (View) : 6 O'clock
3. 驱动路数 (Duty) : 1/4 Duty
4. 偏压比 (BIAS) : 1/3 Bias

ELECTRICAL CHARACTERISTIC:

Item	Symbol	Standard Value			Unit
		Min	Typ	Max	
Operating Voltage	Vope	-0.3	-	8.0	V
Supply Voltage	Vsup	-0.3	-	5.5	V
Input voltage	Vin	VSS-0.3V	-	VDD+0.3V	V
Operating temperature	Top	-10	-	50	
Storage temperature	Tstg	-10	-	60	

BLOCK DIAGRAM:

