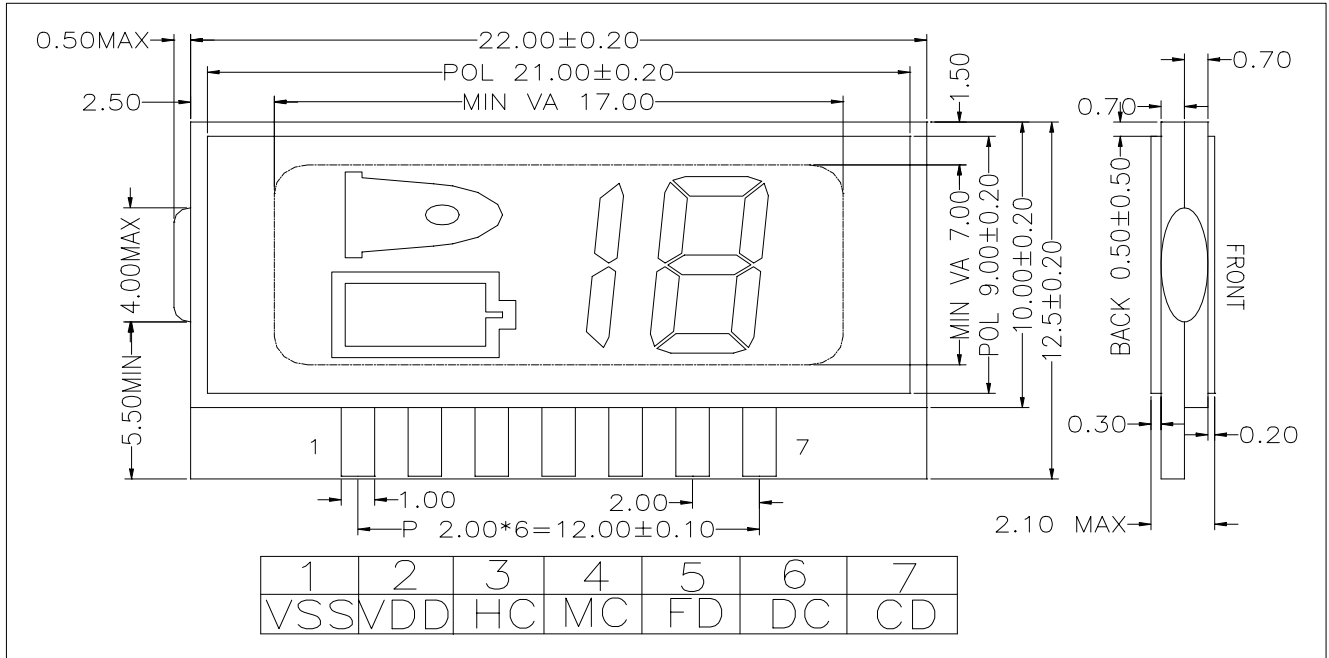


**QX017**
**DIMENSION:**

**FEATURE:**

1. Display Type : TN, Positive
2. Viewing Direction : 6 O'clock
3. Drive Condition : 1/2 Duty, 1/2 Bias

**ELECTRICAL CHARACTERISTIC:**

Item	Symbol	Standard Value			Unit
		Min	Typ	Max	
Operating Voltage	Vope	-0.3	-	8.0	V
Supply Voltage	Vsup	-0.3	-	5.5	V
Input voltage	Vin	VSS-0.3V	-	VDD+0.3V	V
Operating temperature	Top	0	-	50	
Storage temperature	Tstg	-10	-	60	

**BLOCK DIAGRAM:**
