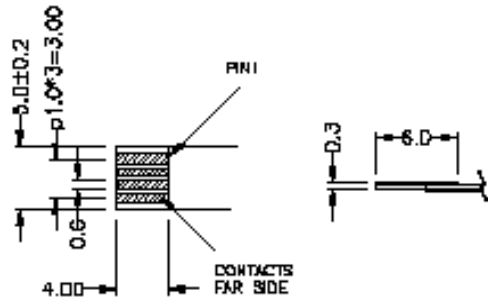
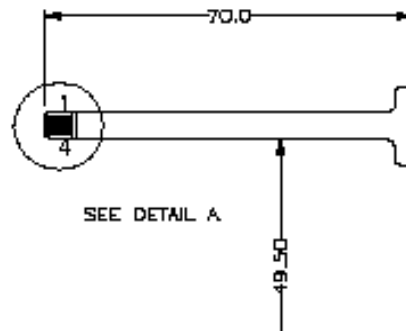


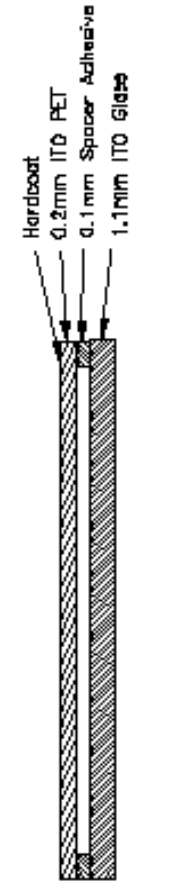
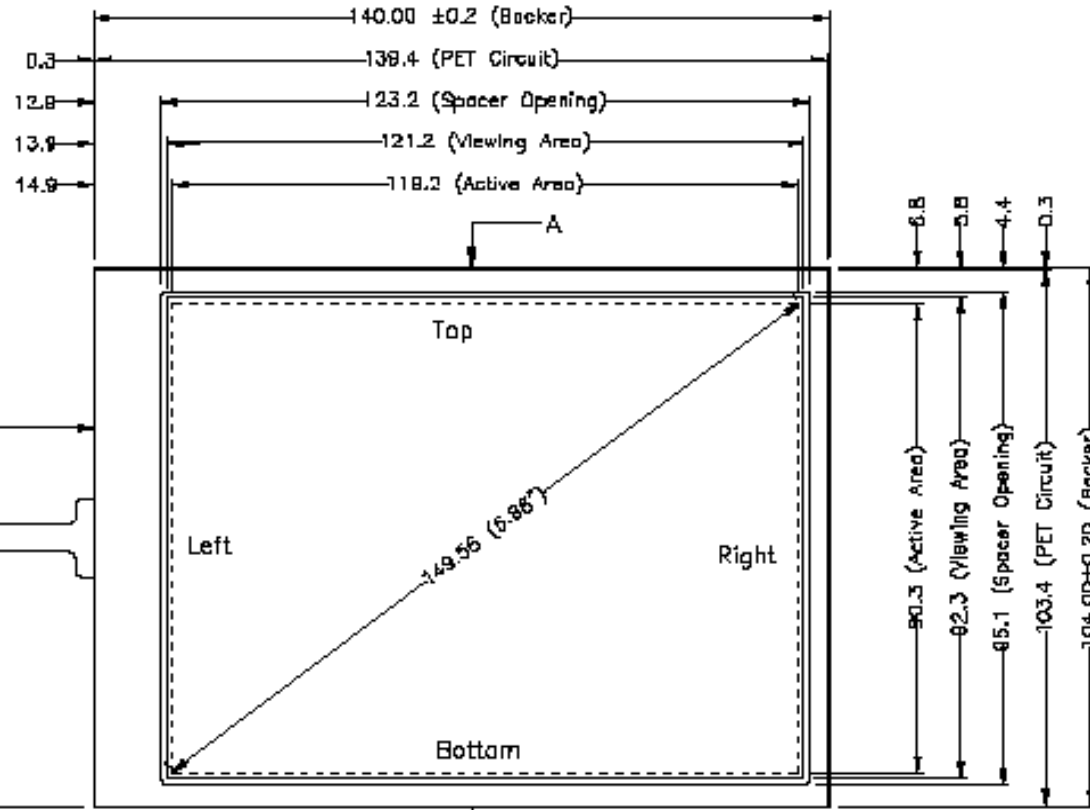
FRONT VIEW



DETAIL A



Pin #	Assignment
1	Left
2	Bottom
3	Right
4	Top



SECTION A-A

NOTES:

1. ITO GLASS THICKNESS : 1.1mm
2. ITO PET TOP CIRCUIT THICKNESS : 0.2mm
3. SPACER ADHESIVE : 0.1mm
4. OVERALL THICKNESS : 1.40mm ± 0.07
5. CONNECTOR AND PINOUT AS INDICATED
6. FRONT SURFACE ANTIGLARE HARDCOAT
7. OPTICAL SPECIFICATION : A001
8. LAYER TO LAYER ASSEMBLY TOLERANCE: ±0.3mm
9. FPC TAIL

NO.	DATE	DESCRIPTION	CHK.
REVISION			
1	12/27/00	PH ASSIGNMENT MODIFY	ALEX
2			
3			
4			
5			
6			
7			
8			
9			
10			
11			
12			
13			
14			
15			
16			
17			
18			
19			
20			
21			
22			
23			
24			
25			
26			
27			
28			
29			
30			
31			
32			
33			
34			
35			
36			
37			
38			
39			
40			
41			
42			
43			
44			
45			
46			
47			
48			
49			
50			
51			
52			
53			
54			
55			
56			
57			
58			
59			
60			
61			
62			
63			
64			
65			
66			
67			
68			
69			
70			
71			
72			
73			
74			
75			
76			
77			
78			
79			
80			
81			
82			
83			
84			
85			
86			
87			
88			
89			
90			
91			
92			
93			
94			
95			
96			
97			
98			
99			
100			

CLEAR-VICTORY TECHNOLOGY CO.,LTD

TELEPHONES UNLESS SPECIFIED	PROJECT NAME
T	9504
JX	9504-1-011
JZZ	SCALE: 1:1 UNIT: mm
ANGULAR	