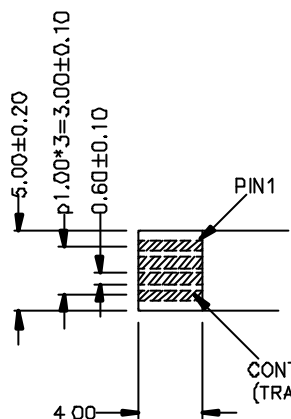
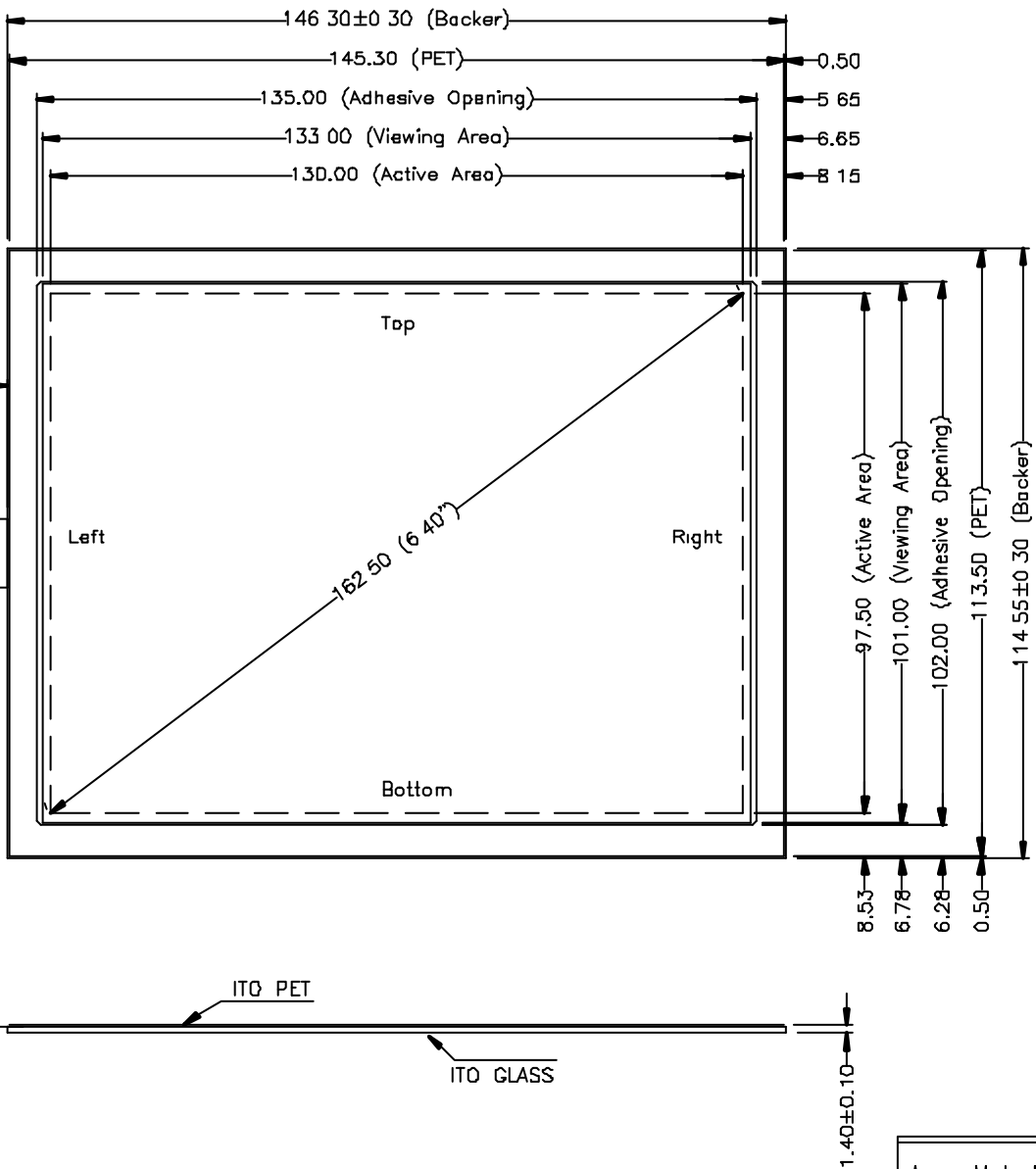
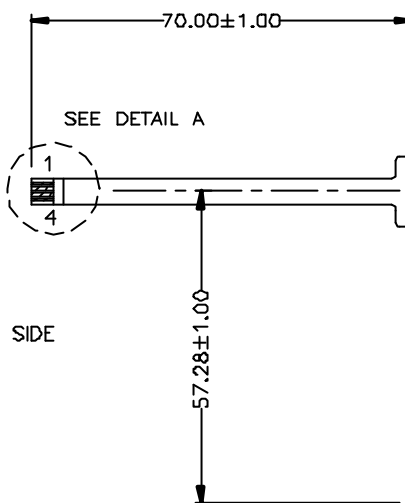


FRONT VIEW

Pin #	Assignment
1	Top
2	Left
3	Bottom
4	Right



DETAIL A



NOTES:

1. ITO GLASS THICKNESS : 1.10mm
2. OVERALL THICKNESS : 1.40±0.10mm
3. CONNECTOR AND PINOUT AS INDICATED
4. FRONT SURFACE . ANTI-GLARE HARDCOAT
5. LAYER TO LAYER ASSEMBLY TOLERANCE: ±0.30mm
6. TAIL TYPE ; FPC
7. OTHER SPEC : SEE APPROVAL SHEET

NO.	DATE	DESCRIPTION	CHK
REVISION			
CHIEF OF DESIGN		APPROVED	Alex
ENGINEER		PROJECT MANAGER	
DRAWN BY	Jerry	DATE	OCT 24, 2002
SHT	1	OF	1
		REV.	

Apex Material Technology Corp.

TOLERANCES UNLESS SPECIFIED		PROJECT NAME: 9525
.X	± 0.50	DWG NO 9525-0-01
.XX	± 0.50	
.XXX	± 0.30	
ANGULAR		SCALE: 1:1 UNIT: mm