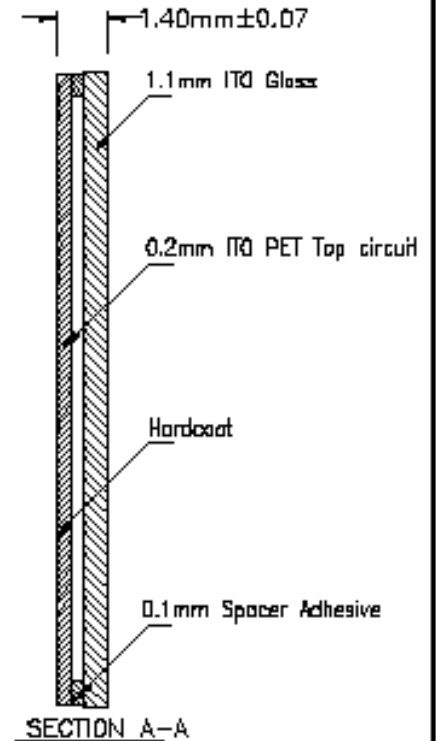
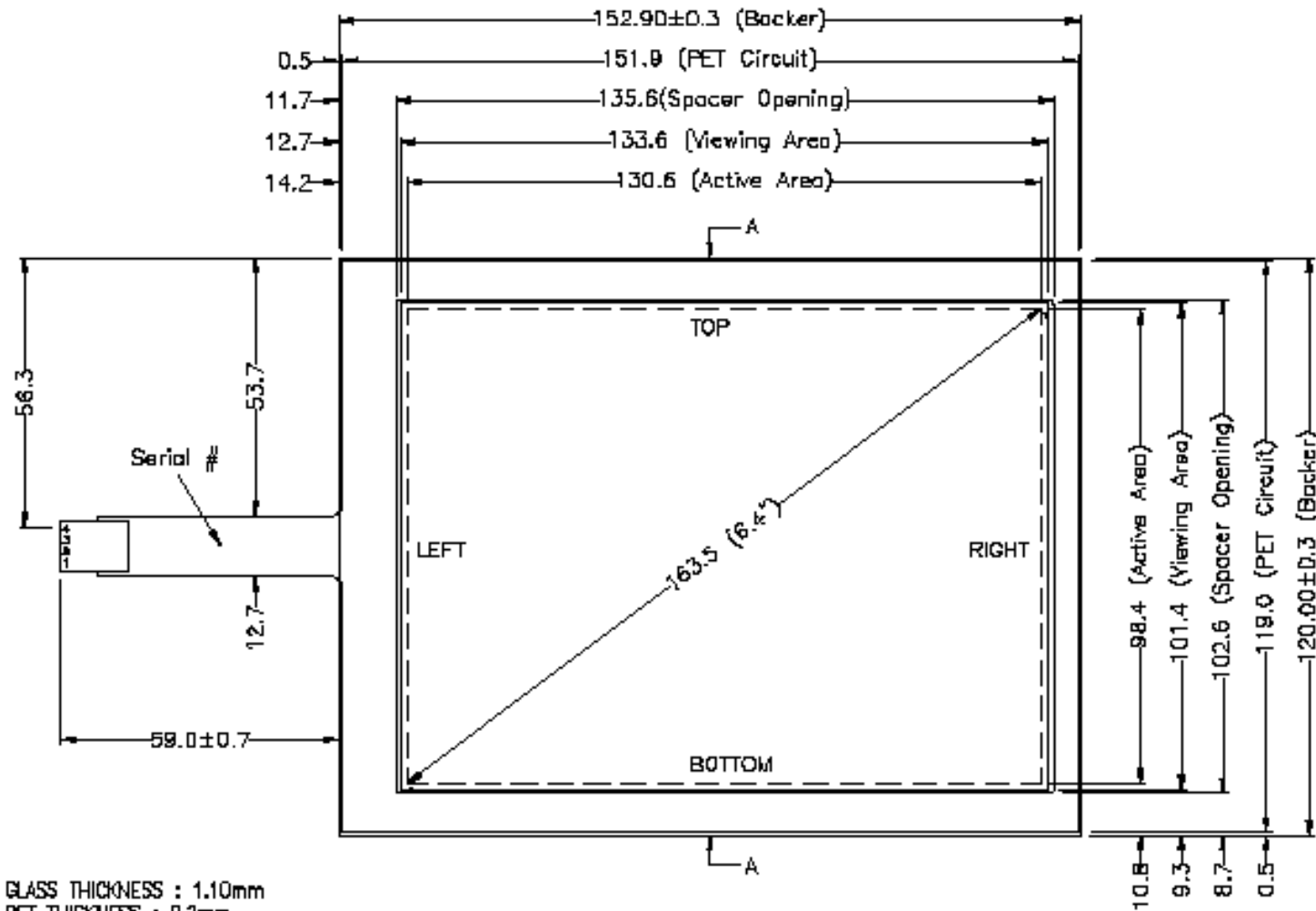


FRONT VIEW



NOTES:

1. ITO GLASS THICKNESS : 1.10mm
2. ITO PET THICKNESS : 0.2mm
3. SPACER ADHESIVE : 0.1mm
4. OVERALL THICKNESS : 1.40mm ±0.07
5. CONNECTOR AND PINOUT AS INDICATED
6. FRONT SURFACE ANTI-GLARE HARDCOAT
7. OPTICAL SPECIFICATION : A001
8. LAYER TO LAYER ASSEMBLY TOLERANCE: ±0.5mm
9. ANTI-NEWTON'S RING TYPE

Pin #	Assignment
1	Left
2	Right
3	Bottom
4	Top

A	REV	DATE	DESCRIPTION	APPROVED	CHK
REVISION					
CHIEF OF DESGN					
ENGINEER					
DRAWN BY					
SHT 1	OF 1	REV.		A	

CLEAR-VICTORY TECHNOLOGY CO.,LTD		
ITOL DIMENES UNLESS SPECIFIED		
.X	± 0.50	PROJECT NAME: 9506
.XX	± 0.25	FIG NO: 9506-1-01
.XXX	± 0.10	SCALE: 1:1 UNIT: mm
ANGULAR		