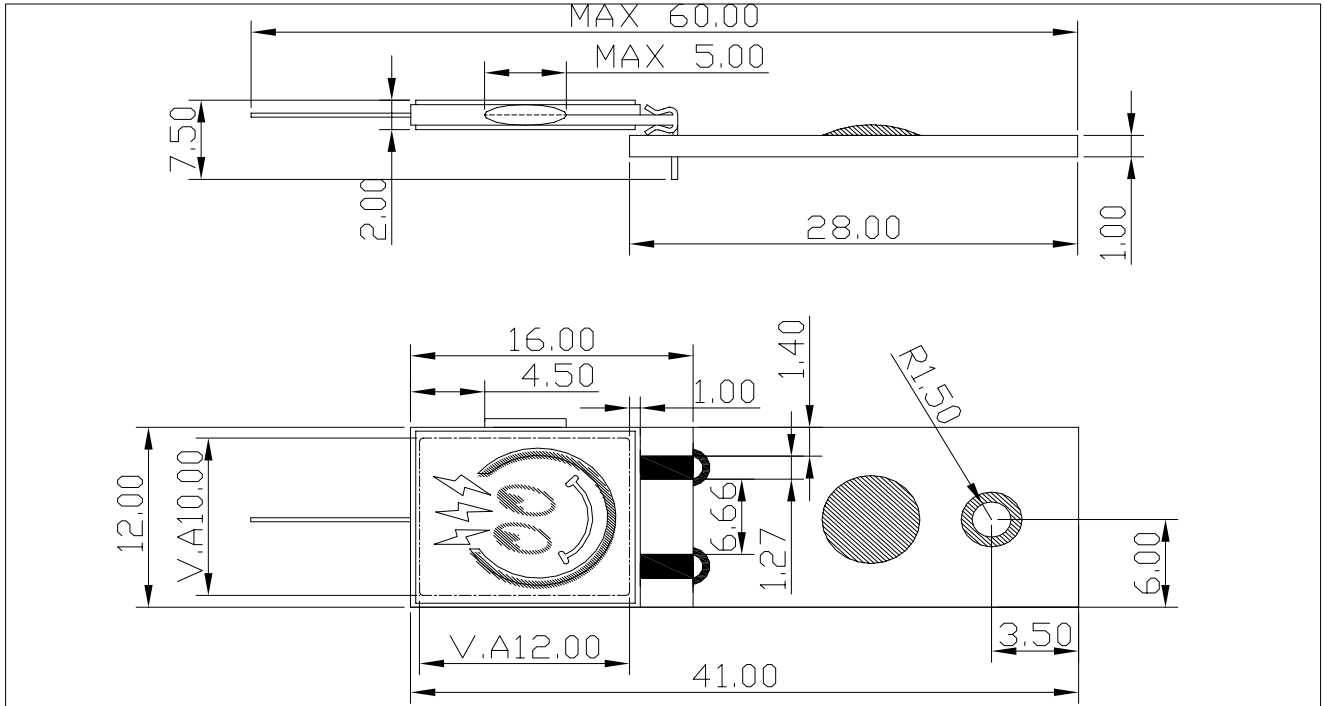


QX065
DIMENSION:

FEATURE:

1. 显示类型 (Display Type) : TN, Positive
2. 视角方向 (View) : 6 O'clock
3. 驱动路数 (Duty) : 1/1 Duty
4. 偏压比 (Bias) : 1/1 Bias
5. 工作电压 (Vop) : 3V

ELECTRICAL CHARACTERISTIC:

Item	Symbol	Standard Value			Unit
		Min	Typ	Max	
Operating Voltage	Vope	2.4	-	5.2	V
Supply Voltage	Vsup	-0.3	-	5.5	V
Input voltage	Vin	VSS-0.3V	-	VDD+0.3V	V
Operating temperature	Top	-20	-	+85	
Storage temperature	Tstg	-35	-	+85	

BLOCK DIAGRAM:
