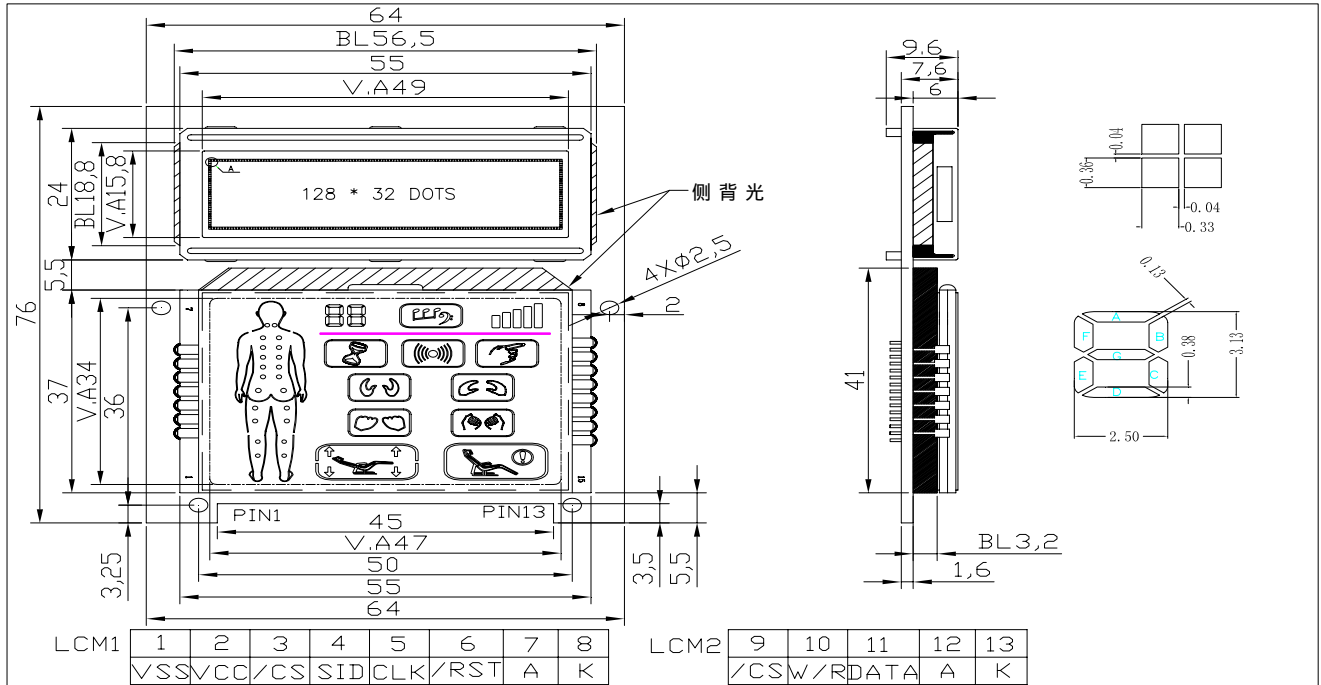


**QX066**
**DIMENSION:**

**FEATURE:**

- 显示类型 (Display Type) : TN(LCM2)/FSTN-GRAY/Positive, STN-BLUE/Negative (LCM1)
- 视角方向 (View) : 60' clock
- 驱动路数 (Duty) : 1/4Duty(LCM2)/1/32Duty(LCM1)
- 偏压比 (Bias) : 1/3Bias(LCM2)/ 1/6Bias(LCM1)
- 工作电压 (Vop) : 5V

**ELECTRICAL CHARACTERISTIC:**

Item	Symbol	Standard Value			Unit
		Min	Typ	Max	
Operating Voltage	Vope	2.7	-	5.5	V
Supply Voltage	Vsup	-0.3	-	5.5	V
Input voltage	Vin	-0.3	-	VDD+0.3	V
Operating temperature	Top	-20	-	+70	
Storage temperature	Tstg	-30	-	+80	

**BLOCK DIAGRAM:**
