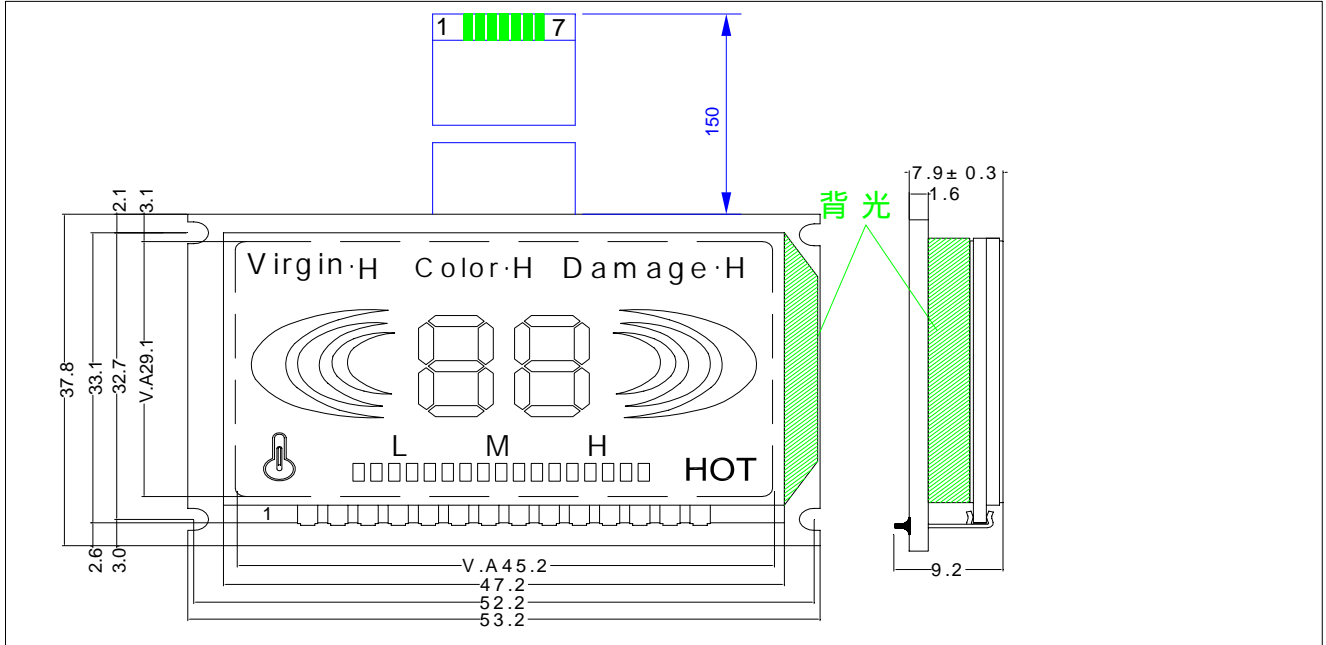


QX068
DIMENSION:

FEATURE:

1. 显示类型 (Display Type) : TN, Positive
2. 视角方向 (View) : 12 O'clock
3. 驱动路数 (Duty) : 1/4 Duty
4. 偏压比 (Bias) : 1/3 Bias
5. 工作电压 (Vop) : 5 V

ELECTRICAL CHARACTERISTIC:

Item	Symbol	Standard Value			Unit
		Min	Typ	Max	
Operating Voltage	Vo _{pe}	2.4	-	5.2	V
Supply Voltage	V _{sup}	-0.3	-	5.5	V
Input voltage	V _{in}	V _{SS} -0.3V	-	V _{DD} +0.3V	V
Operating temperature	T _{op}	0	-	+50	
Storage temperature	T _{stg}	-10	-	+60	

BLOCK DIAGRAM:
