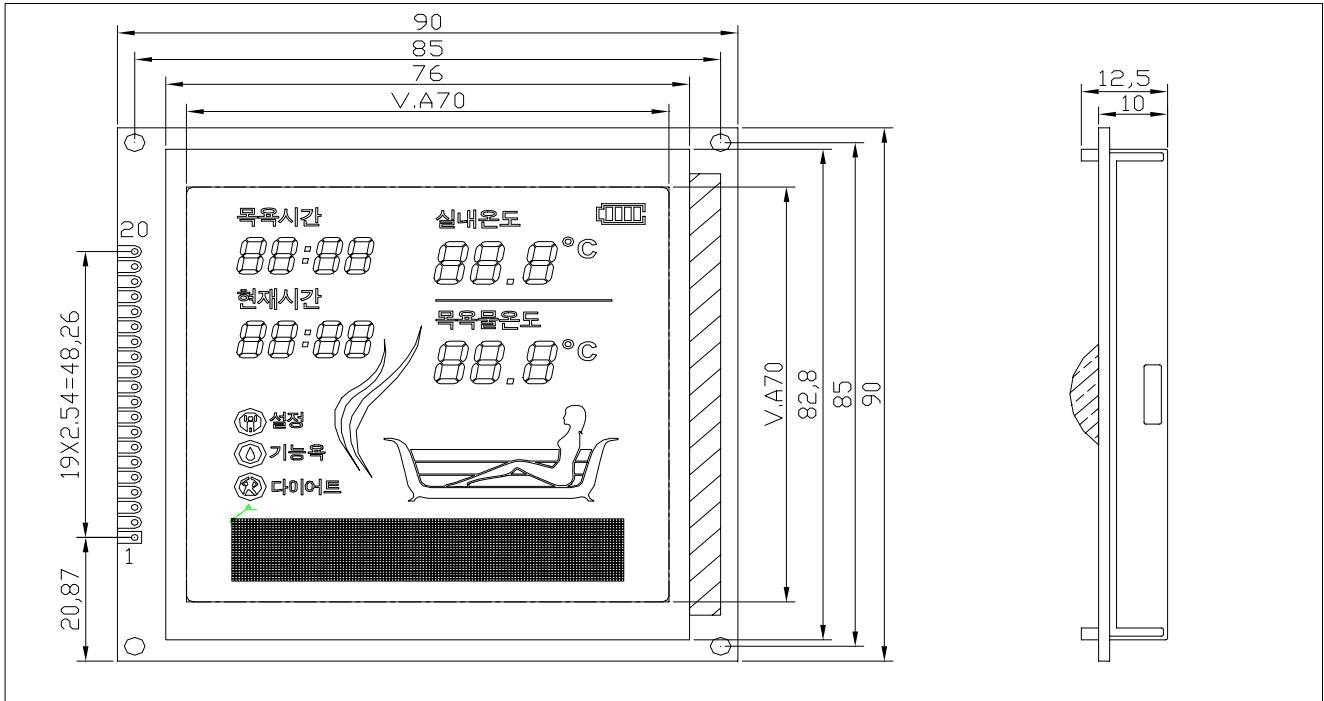


QX12864
DIMENSION:

FEATURE:

1. 显示类型 (Display Type) : TN, Positive ,
2. 视角方向 (View) : 12 O'clock
3. 驱动路数 (Duty) : 1/4 Duty
4. 偏压比 (Bias) : 1/3 Bias
5. 工作电压 (Vop) : 5V

BLOCK DIAGRAM:
ELECTRICAL CHARACTERISTIC:

Item	Symbol	Standard Value			Unit
		Min	Typ	Max	
Operating Voltage	Vo _{pe}	-0.3	-	7	V
Supply Voltage	V _{sup}	VDD-19	-	VDD+0.3	V
Input voltage	V _{in}	VSS	-	VDD	V
Operating temperature	T _{op}	-20	-	70	
Storage temperature	T _{stg}	-30	-	80	

