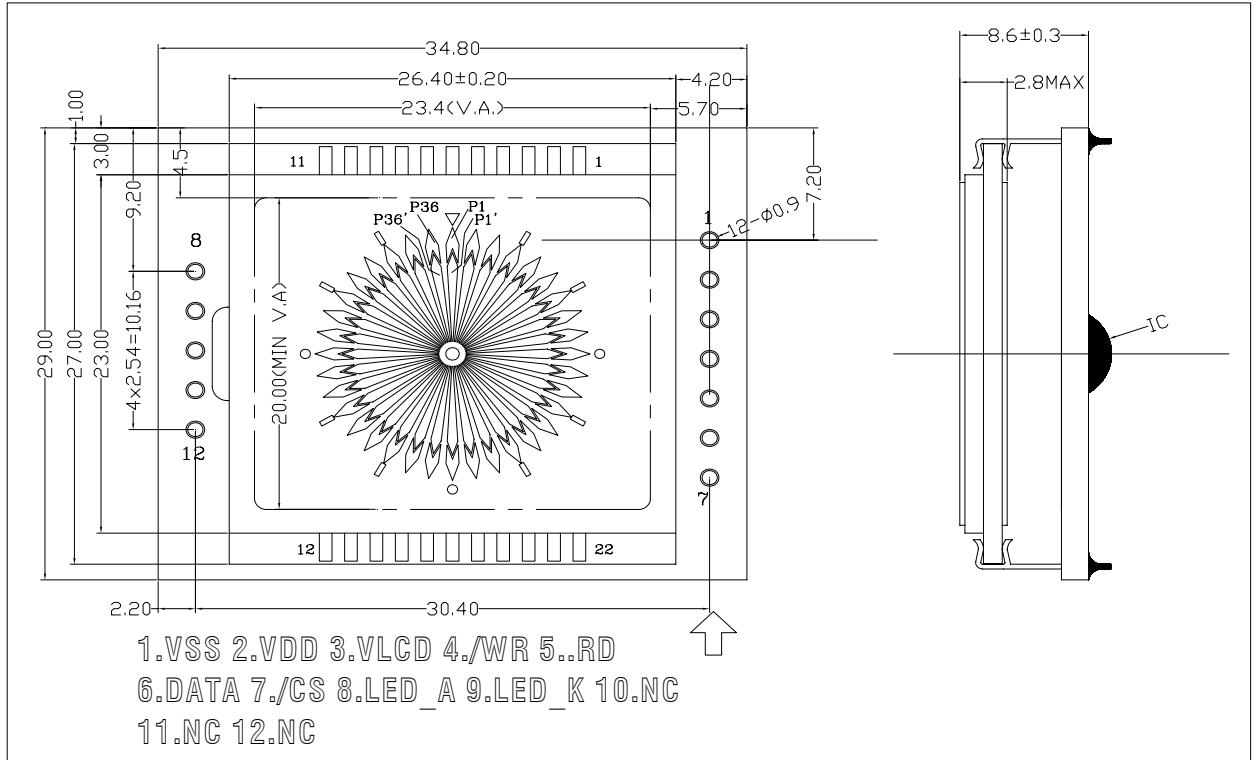




QX082

DIMENSION:



FEATURE:

- 1. DISPLAY TYPE : TN, POSITIVE
- 2. VIEWING DIRECTION: 120° CLOCK
- 3. OPERATING VOLTAGE: 5V
- 4. POLARIZER MODE: REFLECTIVE
- 5. DRIVER IC: HT1621B
- 6. DRIVE METHOD: 1/4 DUTY 1/3 BIAS
- 7. OPERATING TEMP: -20C~70C
- 8. STORAGE TEMP: -30C~80C
- 9. CONNECTOR: PIN
- 10. GLASS SIZE: 26.4\*23/27
- 11. ROHS: 符合 ROHS 要求

ELECTRICAL CHARACTERISTIC:

Item	Symbol	Standard value			Unit
		Min	Typ	Max	
Power supply for logic	VDD-VSS	-0.3	-	5.5	V
Input voltage	V <sub>in</sub>	VSS-0.3	-	VDD+0.3	V
Operating temperature	T <sub>op</sub>	-20	-	70	°C
Storage temperature	T <sub>stg</sub>	-30	-	80	°C

BLOCK DIAGRAM:

