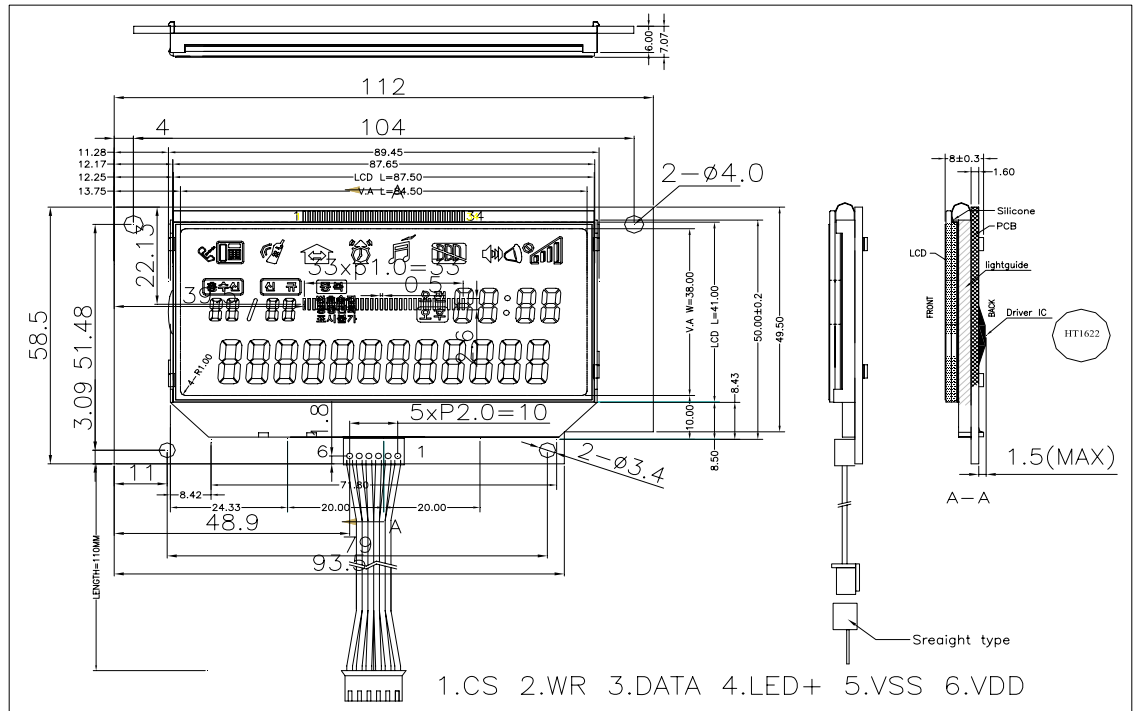




QX083

DIMENSION:



FEATURE:

- 1.BACK POLARIZER: INTERFACE:
- 2.STORAGE TEMP: -10C TO +60C
- 3. OPERATING TEMP: 0C TO +50C
- 4. VIEWING DIRECTION: 6 O`CLOCK
- 5. DRIVE CONDITION: HT1622 1/8 DUTY, 1/3 BIAS, 3.3V
- 6.DISPLAY MODE: HTN, POSITIVE MODE (GRAY MODE)
BLUE LED (3PCS)
- 7. CONNECTION TYPE: HEAL
- 8. CUSTOMER P/N: EM—500

ELECTRICAL CHARACTERISTIC:

Item	Symbol	Standard value			Uint
		Min	Typ	Max	
Power supply for logic	VDD-VSS	-0.3	—	5.5	V
Input voltage	Vin	VSS-0.3	—	VDD+0.3	V
Operating temperature	Top	0	—	50	°C
Storage temperature	Tstg	-10	—	60	°C

BLOCK DIAGRAM:

