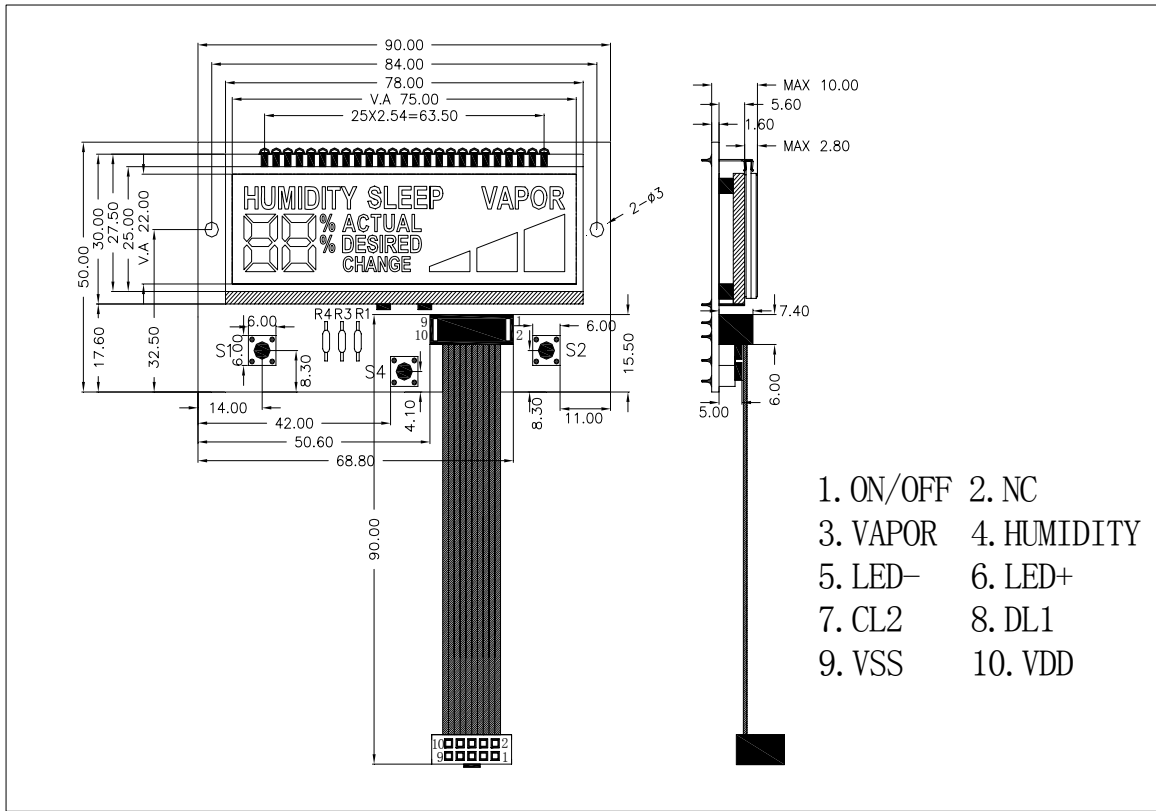




QX088

DIMENSION:



FEATURE:

- 1.DISPLAY TYPE : TN,NEGATIVE
- 2.VIEW DIRECTION:12 O`CLOCK
- 3. POLARIZER: TRANSMISSIVE
- 4. GLASS THICKNESS: 1.1
- 5. DRIVER METHOD: 1/1 DUTY
- 6. OPERATING VOLTAGE: 5.0V
- 7. OPERATING TEMPERATURE : 0°C TO 50°C
- 8.STORAGE TEMPERATURE: -10°C TO 60°C

ELECTRICAL CHARACTERISTIC:

Item	Symbol	Standard Value			Unit
		Min	Typ	Max	
Operating Voltage	VDD	-0.3	—	7.0	V
Supply Voltage	VEE	VDD-13.5V	—	VDD+0.3V	V
Input voltage 1	Vin1	-0.3V	—	VDD+0.3V	V
Input voltage 2(V1-V6)	Vin2	VDD+0.3V	—	VEE-0.3V	V
Operating temperature	Top	0	—	50	°C
Storage temperature	Tstg	-10	—	60	°C

BLOCK DIAGRAM:

