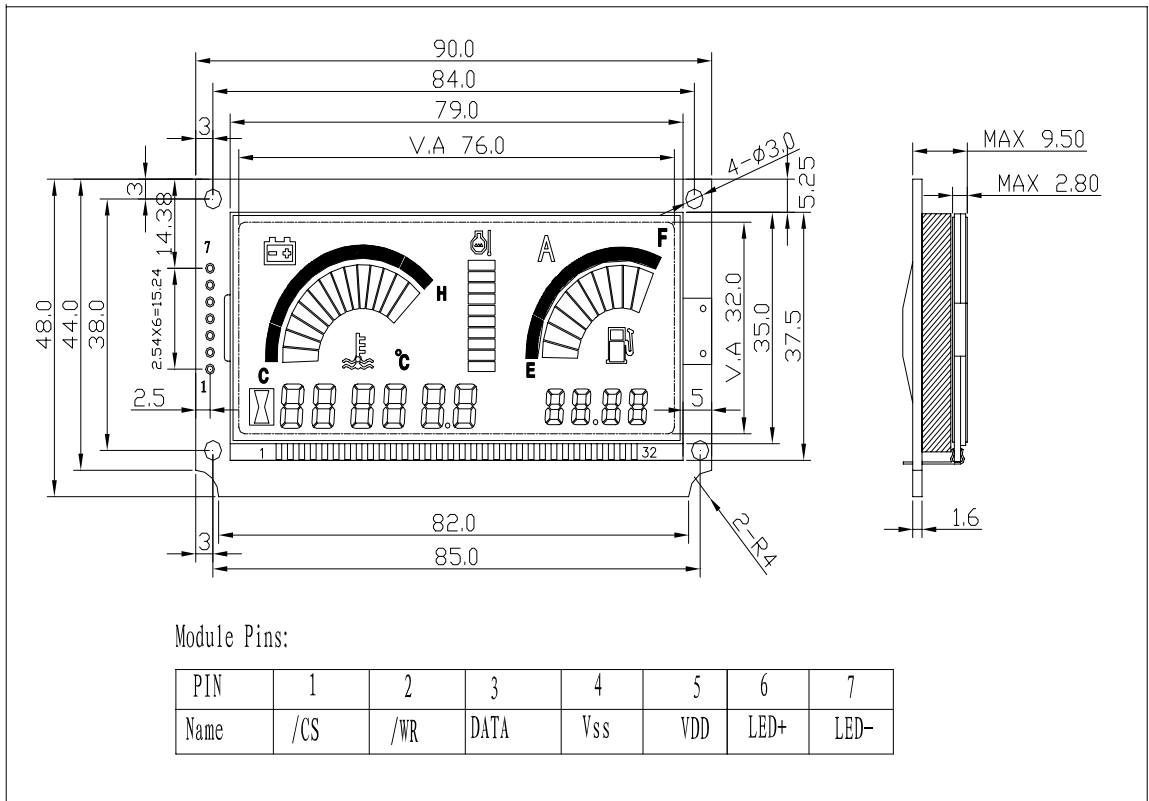




QX092

DIMENSION:



FEATURE:

- 1.DISPLAY TYPE : HTN,POSITIVE
- 2.VIEW DIRECTION: 6 O`CLOCK
3. POLARIZER MODE: TRANSFLECTIVE
4. GLASS THICKNESS: 1.1
- 5.DRIVER METHOD: 1/4 DUTY 1/3 BTAS
6. OPERATING VOLTAGE: 5.0V
7. OPERATING TEMPERATURE: -30°C TO 80°C
- 8.STORAGE TEMPERATURD: -40°C TO 85°C

ELECTRICAL CHARACTERISTIC:

Item	Symbol	Standard value			Unit
		Min	Typ	Max	
Power supply for logic	VDD-VSS	-0.3	—	5.5	V
Input voltage	V _{in}	VSS-0.3	—	VDD+0.3	V
Operating temperature	T _{op}	-30	—	80	°C
Storage temperature	T _{stg}	-40	—	85	°C

BLOCK DIAGRAM:

